

CLR Live Roller Conveyor Accumulation (LRPE)



Feature-for-feature, no other conveyor can match Automotion's Model CLRPE Zero Pressure Photo-Eye Accumulation Conveyor. There is no minimum weight restriction and it will convey a vast range of products in weights up to 100 pounds per foot while running smoothly, quietly, and stress free.

Automotion's custom designed photo-eye/solenoid module locally monitors and controls each zone. Multi-color LED's provide a constant status of the photoeye. A built-in adjustable time delay increases throughput by preventing intermittent slowing of the product load.

The photo-eye can detect a wide variety of products including very light product and product with uneven bottoms. It can also be skewed to sense totes or other irregular shaped product that leave gaps when accumulated. It loads and releases in singulation mode, slug mode, cascade release, and smart slug. It turns itself off in sleep mode.



Mechanical Characteristics

Bed Section

6" Deep x 10 Gauge CSC frame in 12" increments between 72" and 144". Accumulation zones are 24" or 36". Shop-cut lengths are available. AGL side covers.

Galvanized Rollers

1-7/8" Diameter, 16 Gauge, with 7/16" hex axle. ABEC1 high speed bearings.

Terminal End

Bolt-on unit.
4" Diameter pulley.

Drives

6", 8", or 10" Center Drives and 8" End Drives. Lagged pulley. Automatic spring take-up. 1 HP to 5 HP. Speed range is 60-320 FPM. Chain drive or direct drive available.

Axle Isolators

Specially designed conductive plastic insert isolates carrying roller axles from the conveyor frame to reduce noise and prevent wear.

PhotoEye/Solenoid Zone Controller

24 VDC polarized retro-reflective photo-eye sensor. 24 VDC single zone or dual zone multi-function controller with adjustable time and function settings.

Belting

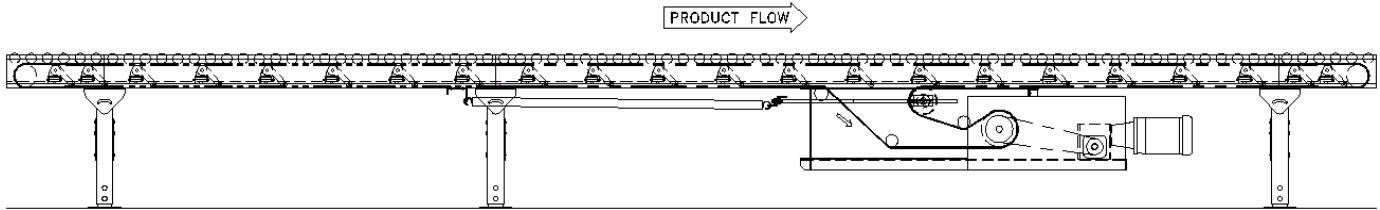
8" wide Type 1A polyester (PET) black fleece .

Finish

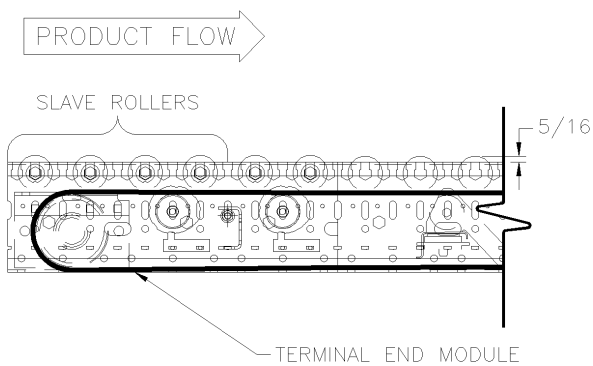
Light gray powder coat paint. Black side cover.

Technical Detail

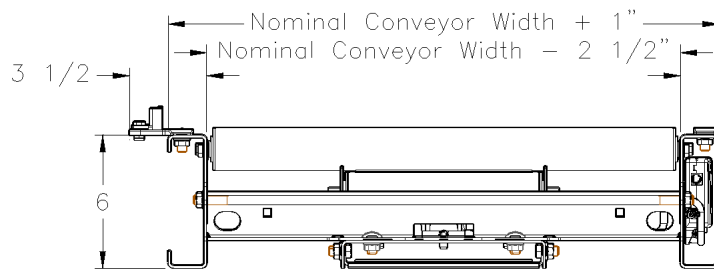
Elevation View



Elevation View



Section View



Specifications

Typical Applications

- Transportation
- Zero Pressure Accumulation
- Staging
- Diverging & Merging

Live Load Capacity

Up to 100 lbs/ft. depending on width, roller centers, supports, etc.

Nominal Widths

18", 24", 30" and 36"

Carrying Roller Centers

2", 3" and 4"

Lifter Roller Centers

6" and 12"

Standard Features

Pulley guards and covers.
Floor support and ceiling hangers.
Bolt-on top guard rail 3", 6", and 12" high. Powder coat paint color flat black.
Guard rail system provides nominal width between guard rails.

Options

- Horizontal or vertical take-up
- Chain drive or direct drive.
- Skew sensor 9" or 18".
- Under mount sensor.
- Bottom covers.
- Urethane Coated Rollers
- Automatic & Manual Air Brakes
- Pop-up case stop.
- Five standard optional powder coat paint colors. Special colors available.